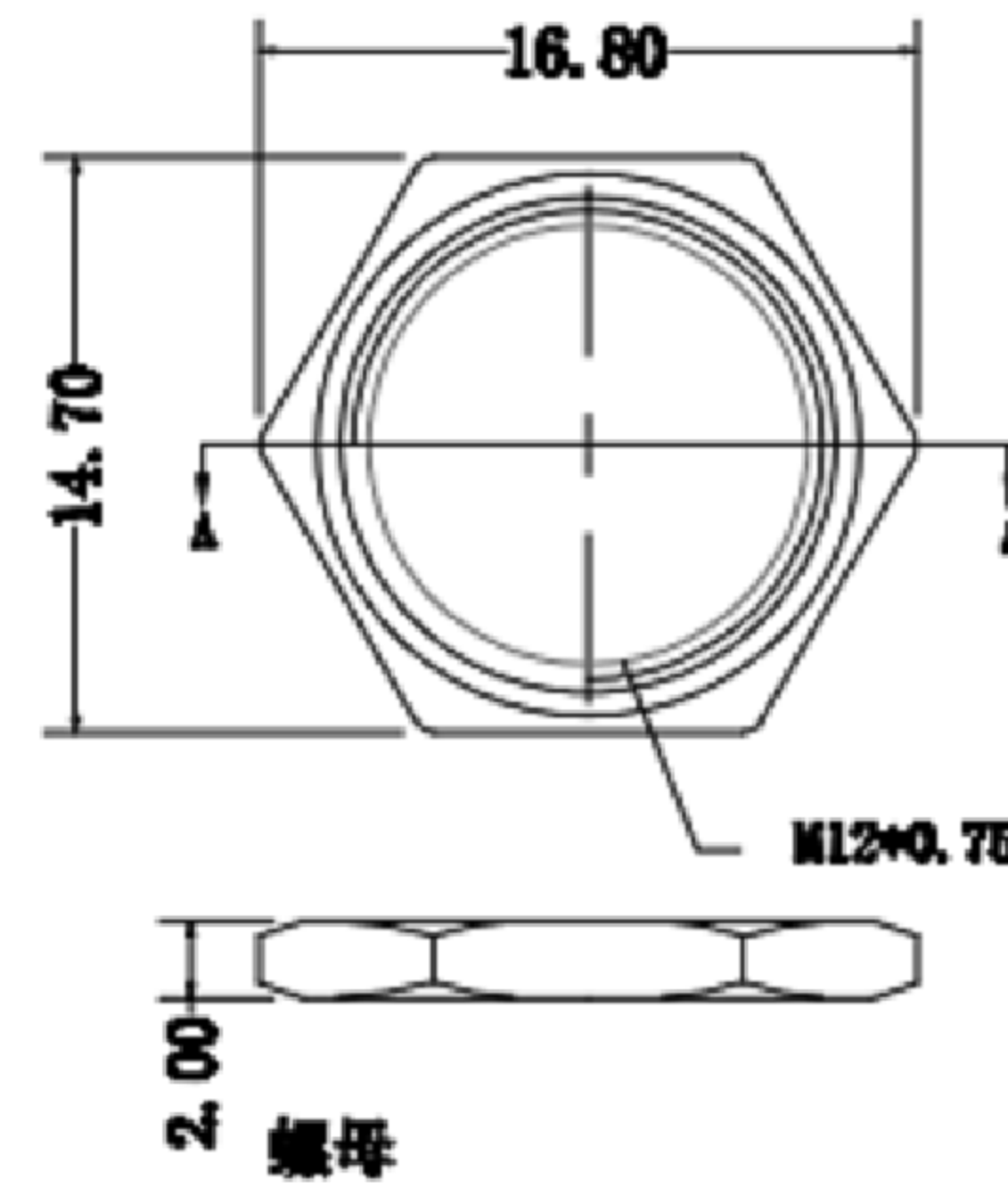
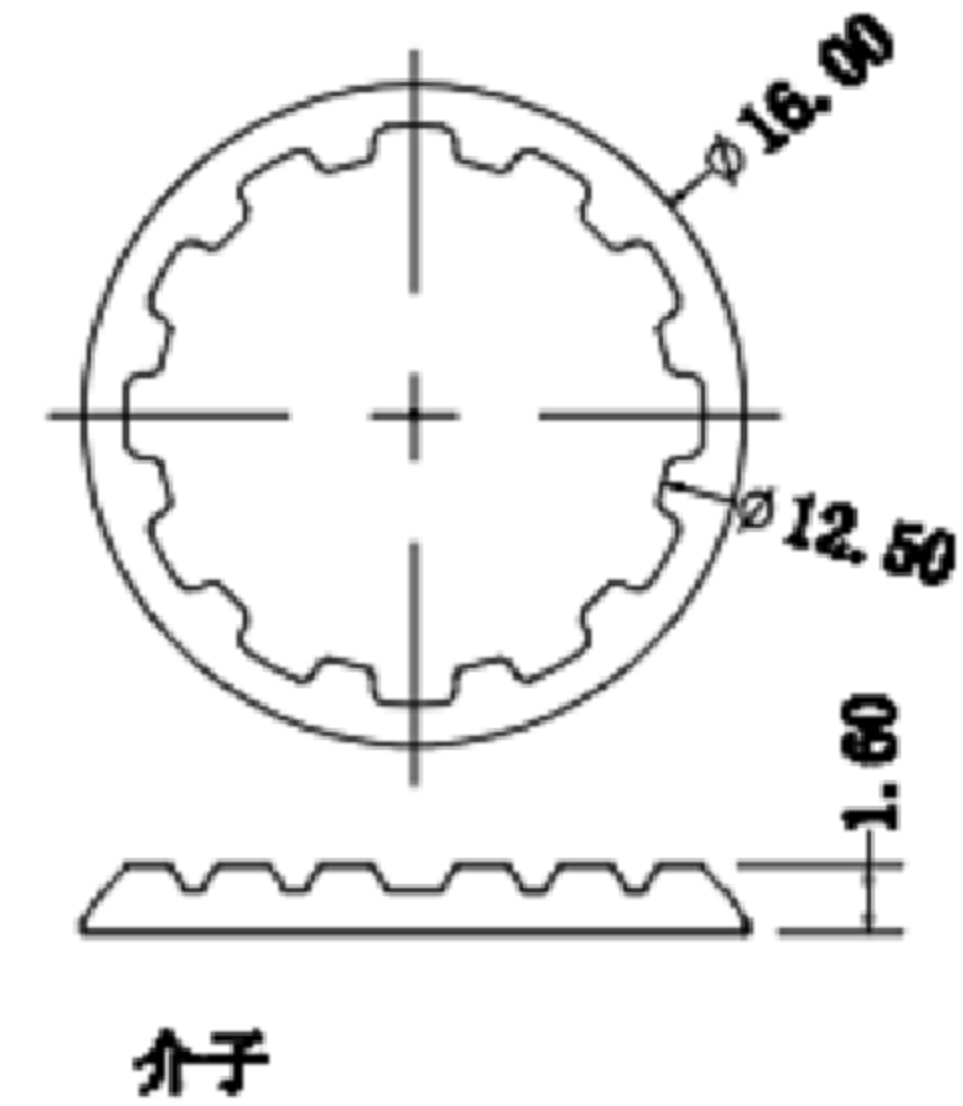
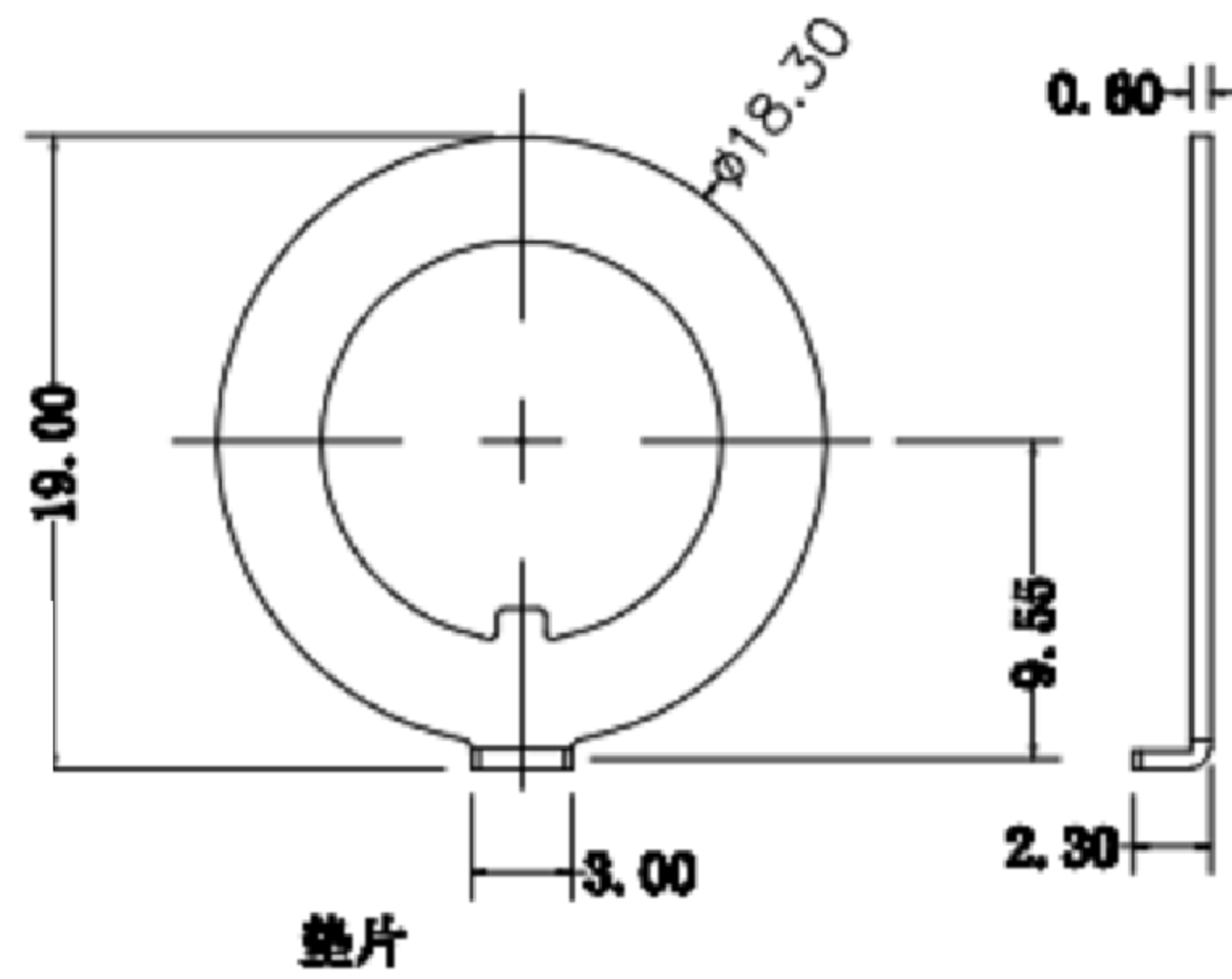
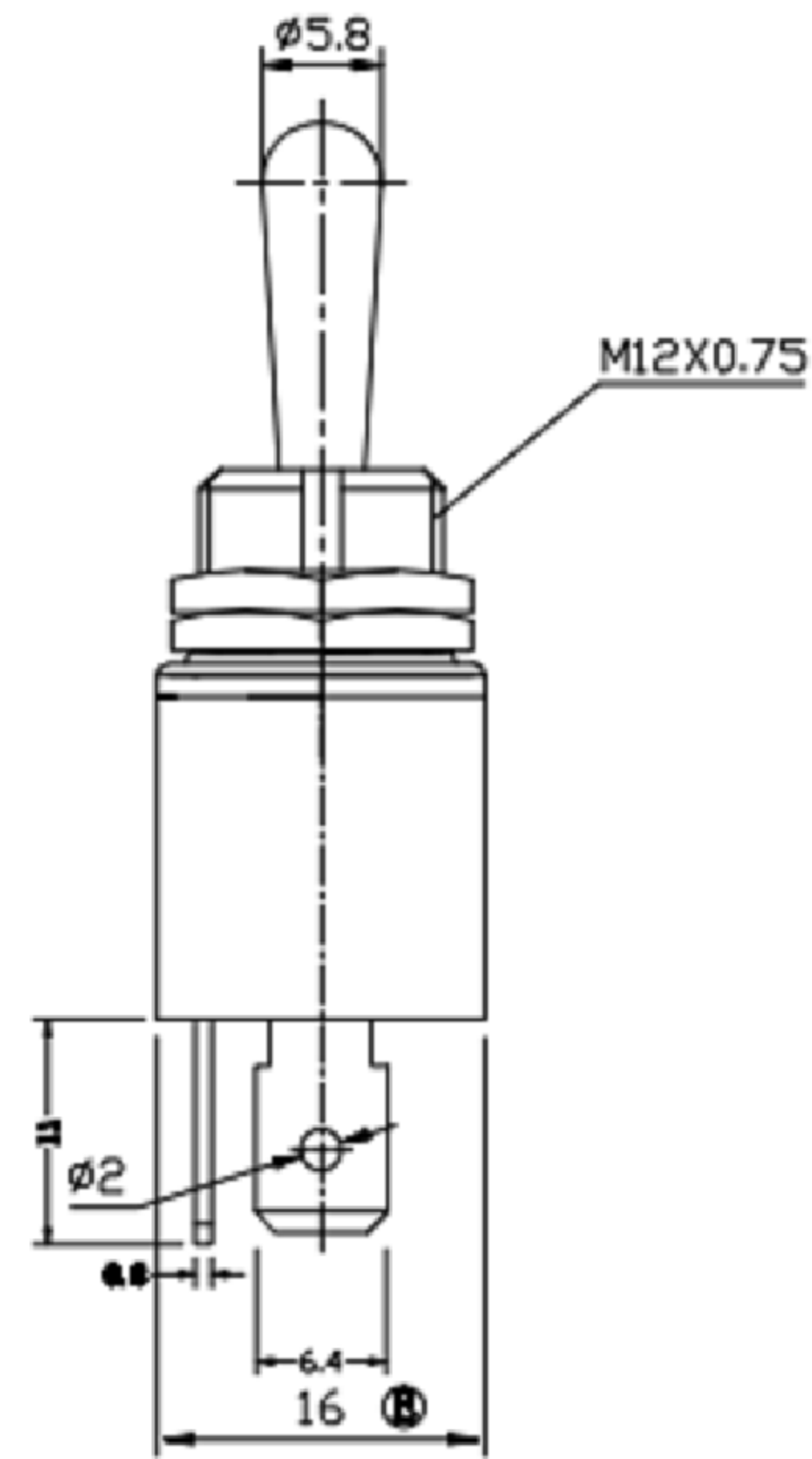
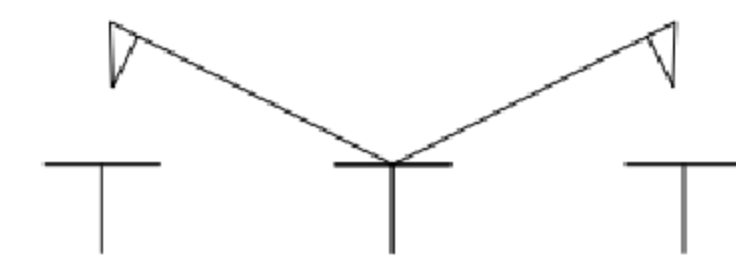


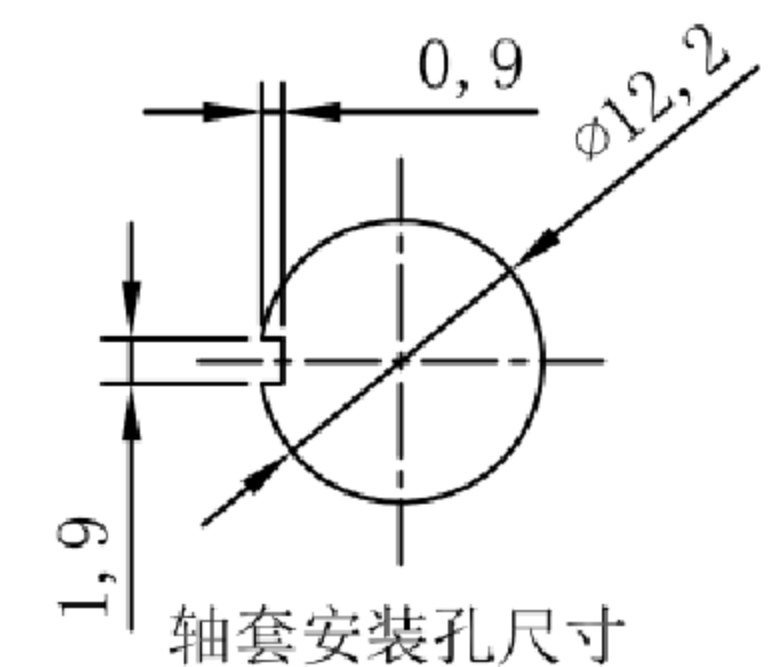
注: ①~③ 为重点检测尺寸



注: ①-⑤ 为重点检验尺寸。



ON - OFF - ON
电路图 (Circuitry)



Technical characteristics

SPECIFICATION: 15 A max. @ 125 VAC.
10 A max. @ 250 VAC.
MECHANICAL LIFE: 40,000 make-and-break cycles.
CONTACT RESISTANCE: 50mΩ max. initial @2-4VDC
100mA for both silver.
INSULATION RESISTANCE: 1000 MΩ min.
DIELECTRIC STRENGTH: 1500 VAC min.
OPERATING TEMPERATURE: -30°C to +85°C.

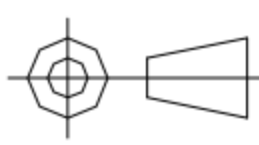
Materials

CASE: PF (UL 94V-0)
HOUSING: SPCC.
ACTUATOR: Alloy, nickel plated.
BUSHING: Alloy, nickel plated.
CONTACT/TERMINALS: Copper alloy silver plated.
RoHS



TOLERANCE UNLESS OTHERWISE STATED: Up to 5 ±0.2, Above 5 ~ 15 ±0.3, Above 15 ~ 30 ±0.4, Above 30 ~ 50 ±0.5, Angle ±0.3°

3RD. ANGEL'S



UNITS MM

DRAWN BY: Ming Ming Zou 07/23/13
CHECKED BY: Ning Ning Su 07/23/13
APPROVED BY: Jia Xiang 07/23/13

MAT'L		TITLE	Large toggle switch
FINISH		MODLE	Large toggle switch
SCALE	1:1	DWG NO.	GD-KN3-A-123-GP
SHEET NO.	1 of 1	PART NO.	

SIZE A4
VER R2